

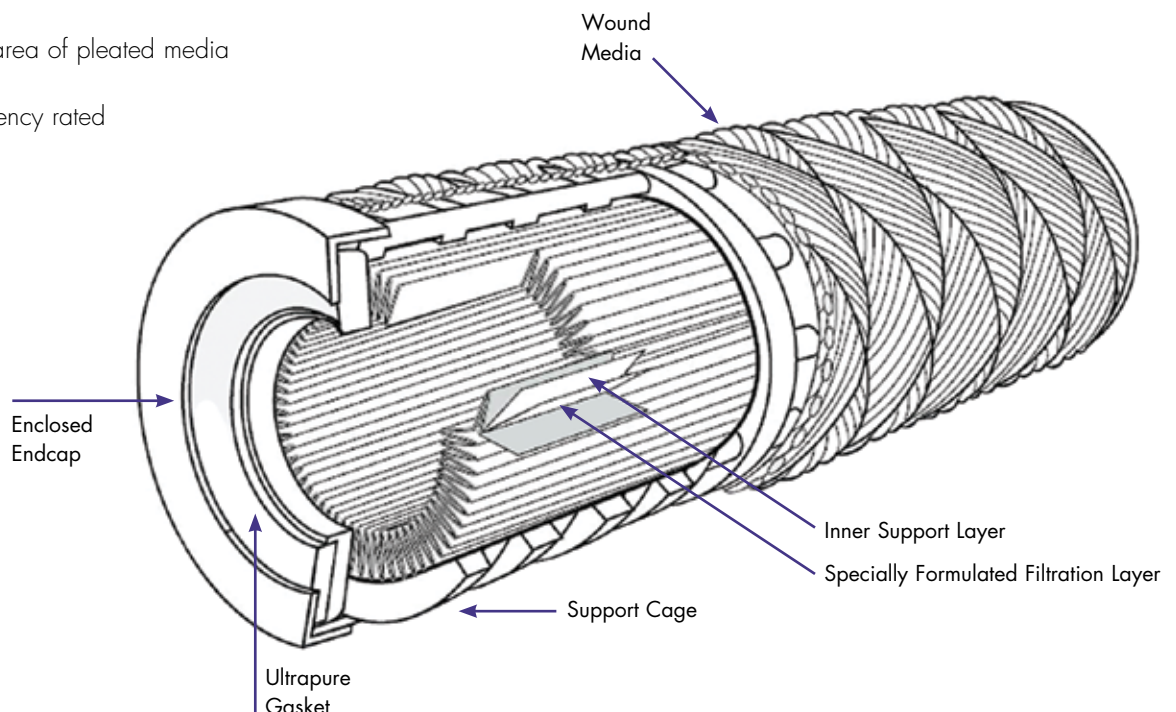
AEGIS® DualGuard I® Condensate Polishing Septa

Graver Technologies' DualGuard I elements are engineered for systems that require a uniform precoat on the outer surface of the septa, providing an effective removal of iron oxide particles while still allowing for an effective backwash. The all polypropylene constructed element has two distinct zones. The outer zone is a multi-string wound surface ideal for precoating in either a thin or a full layer resin precoat and the inner zone is pleated polypropylene with a fixed pore media. The inner pleated filter media is available in a variety of micron grades to meet specific requirements of the condensate system. The element is available in most end cap connections.



Features

- The optimum precoat surface allows for the distribution and sustainability of an evenly thin layer precoat for optimum performance
- Precoatable with a full or thin layer of powdered resin
- Available in various outside diameters
- Fixed pore construction eliminates dirt unloading as differential pressure increases
- High surface area of pleated media
- Removal efficiency rated



AEGIS® DualGuard I®

Condensate Polishing Septa

SEPTA SPECIFICATIONS

Media	Polypropylene	
Inner Core	Polypropylene	Polypropylene
End Caps	Polypropylene	Polypropylene
Cage	Polypropylene	Polypropylene
Gaskets/O-Rings Options	EPDM Sulfur Free	
Micron Ratings	1, 3, 5, 10, 25µm	
Other micron rated media	available upon request	

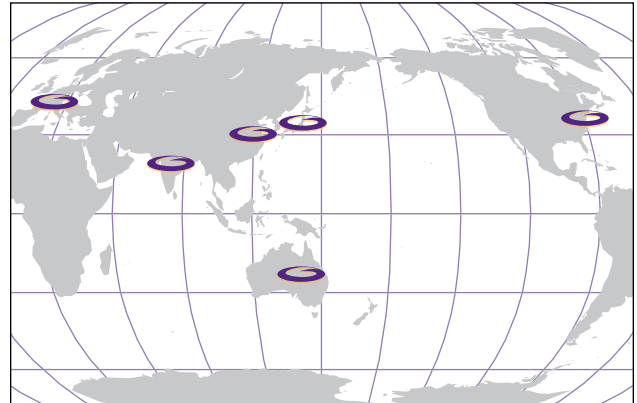
Dimensions

Nominal Lengths	50" (1,270 mm)	60" (1,524 mm)
	70" (1,778 mm)	80" (2,032 mm)
Outside Diameter	2.1" (53 mm)	
	2.25" (57 mm)	
	2.4" (61 mm)	
Inside Diameter	1" (25.4 mm)	
Maximum Operating Temperature	Polypropylene: 180°F (85°C)	
Polypropylene Maximum Collapse Pressure	130 psid @ 70°F (8.9 bar @ 21°C)	
	40 psid @ 180°F (2.8 bar @ 85°C)	



ISO-9001 Factory in Glasgow, DE U.S.A.

Graver Technologies' Worldwide Locations



Superior Products & Global Reach

Graver is the global leader in high purity and condensate water treatment for power generation applications. Including both ion exchange and backwashable septa and filters.

Our innovative technology and products enable our customers to consistently meet today's tougher requirements for purity.

Graver's products treat more than 6.5 billion gallons of process water every day in over 38 countries. Over 75 percent of the nuclear powered generation plants, worldwide, use our technology. Graver has achieved this by consistently delivering dependable, high performance technology and products.

Whether your business is around the corner or around the world, Graver Technologies can support you with superior products and services.

Customer Service Graver Technologies, LLC

P (800) 533.6623
E info@gravertech.com
W www.gravertech.com

United States Graver Technologies, LLC

200 Lake Drive
Glasgow, DE 19702 USA
P (800) 533.6623
P (302) 731.1700
F (302) 731.1707

China Graver Technologies, LLC

RM 16D, Building B
No.1118, Changshou Road
Shanghai, China 200042
P (86) 21.5238.6576.608
F (86) 21.5238.6579

Europe Graver Technologies, LLC

Koenigstrasse, 10c
D-70173 Stuttgart, Germany
C (33) 6.19.33.11.10
P (49) 711.3154.7160
F (49) 711.3154.7170



Graver Technologies

MARMON A member of The Marmon Group
A Berkshire Hathaway Company

All information and recommendations appearing in this bulletin concerning the use of products described herein are based on tests believed to be reliable. However, it is the user's responsibility to determine the suitability for his own use of such products. Since the actual use by others is beyond our control, no guarantee, expressed or implied, is made by Graver Technologies as to the effects of such use or the results to be obtained. Graver Technologies assumes no liability arising out of the use by others of such products. Nor is the information herein to be construed as absolutely complete, since additional information may be necessary or desirable when particular or exceptional conditions or circumstances exist or because of applicable laws or government regulations. Aegis and DualGuard are registered trademarks of Graver Technologies.



Scan here to learn more
about Graver Technologies



ISO 9001
FM 38860

GTX-505
6/2013