



GHP™ Series Filter Housings

High-Purity Vessels



Product Specifications

Materials:

316L Stainless Steel

Mechanical Polish:

External Surfaces:

32 RA

Internal Surfaces:

25 RA

Inlet/Outlet Style:

Tri-clamp, ANSI Flange, DIN

Standard Configuration

1 Round:

"T" Style: 1" Tri-clamp, legs

In-Line: 1.5" Tri-clamp

3 & 5 Round Clamp: Dual Clamp Closure, 2" Inlet/Outlet, Legs

7 & 12 Round Swing Bolt Closure: 3" Inlet/Outlet, Legs, Handles

21 & 26 Round Swing Bolt Closure: 4" Inlet/Outlet, Legs, Handles & Eye-bolt lift sockets

36 Round Swing Bolt Closure: 6" Inlet/Outlet, Legs, Handles & Eye-bolt lift sockets

Operating Parameters

Maximum operating pressure:

Design pressures limits of 140 PSID (9.8 bar) @ 212°F (100°C)

Recommended operating pressure:

Limits of 100 PSID (6.8 bar) @ 165°F (74°C)

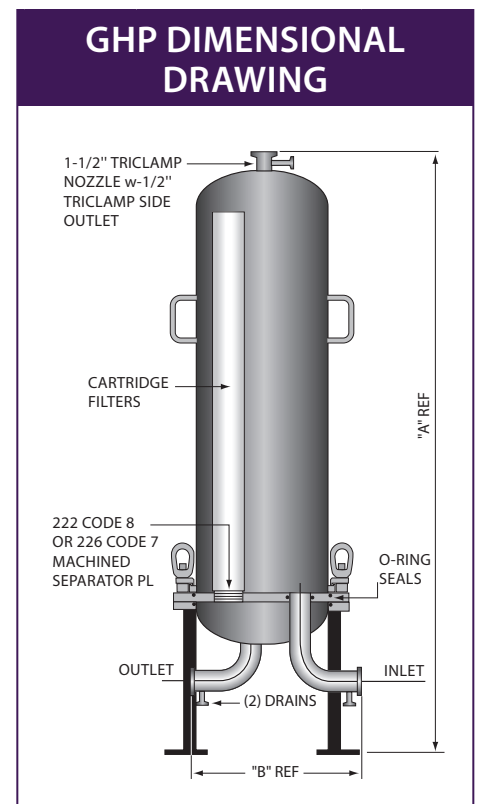
The GHP Series filter housings are constructed of 316L stainless steel and engineered using 3A standards for filtration applications requiring high purity production streams. Design characteristics minimize hold up volumes, provide for easy draining and optimized cleanability. External surfaces mechanically polished and internal surface is acid washed for a consistent, easy care finish.

FEATURES & BENEFITS

- Durable 316L stainless steel for corrosion resistance
- V-band clamp or swing bolt for quick and easy cartridge changeouts
- Accepts 5", 10", 20", 30" and 40" cartridges with DOE, 222/226 configuration options
- Accommodates up to 2 3/4" OD cartridges

TYPICAL APPLICATIONS

- Ultrapure Chemicals
- Ultrapure Water
- Wine/Beer
- Bottled Water
- Vaccines
- Diagnostics
- Edible Oils
- Tank Vents



GHP SERIES HOUSING NOMENCLATURE INFORMATION

Model		Cartridge Length		Inlet/Outlet Type		Vent/Drain		Cartridge Type		Gasket	
1GHP	12GHP	05	5"	-A	150# Flange	-N	½" NPT	-0	DOE	-B	Buna-N
1GHPI	21GHP	10	10"	-D	DIN	-G	Gauge Port/Vent	-3	222	-E	EPDM
3GHP	26GHP	20	20"	-T	Tri-clamp	-T	Triclamp (1/2")	-7	226	-S	Silicone
5GHP	36GHP	30	30"							-T	Teflon (Silicone)
7GHP		40	40"							-V	Viton
Example: 12GHP30-T-G-7-B											
12GHP		30		-T		-G		-7		-B	

GHP DIMENSIONAL DATA

Model	Number of Elements	Dimension A				Dimension B	Approximate Weight (lb)				Inlet/Outlet
		10"	20"	30"	40"		10"	20"	30"	40"	
1GHP	1	19.7"	29.5"	39.4"	49.2"	8.1"	10	13	17	22	1"
1GHPI	1	17.0"	26.8"	36.7"	46.5"	5.4"	8	11	14	17	1.5"
3GHP	3	26.6"	36.4"	46.3"	56.1"	13.1"	47	58	65	73	2"
5GHP	5	26.6"	36.4"	46.3"	56.1"	13.1"	47	58	65	73	2"
7GHP	7	30.0"	40.0"	50.0"	60.0"	14.4"	128	141	154	167	3"
12GHP	12	30.8"	40.8"	50.8"	60.8"	18.3"	173	191	209	227	3"
21GHP	21	--	--	51.4"	61.4"	21.5"	--	--	275	299	4"
26GHP	26	--	--	51.4"	61.4"	21.5"	--	--	275	299	4"
36GHP	36	--	--	52.0"	62.0"	24.8"	--	--	364	398	6"

FOR MORE INFORMATION

Customer Service/Technical Support: 1-888-353-0303
 Europe (UK): +44-1424-777791 | China: +86-21-5238-6576
 Asia: +65-9635-7690

GTX-358 8-17



DISTRIBUTED BY

All information and recommendations appearing in this bulletin concerning the use of products described herein are based on tests believe to be reliable. However, It is the user's responsibility to determine the suitability for his own use of such products. Since the actual use by others is beyond our control, no guarantee, expressed or implied, is made by Graver Technologies as to the effects of such use or the results to be obtained. Graver Technologies assumes no liability arising out of the use by others of such products. Nor is the information herein to be construed as absolutely complete, since additional information may be necessary or desirable when particular or exceptional conditions or circumstances exist or because of applicable laws or government regulations. GHP is a trademark of Graver Technologies, LLC.



Graver Technologies | 200 Lake Drive, Glasgow, DE 19702 | 302-731-1700 | 800-249-1990
 Fax: 1-302-369-0938 | info@gravertech.com | www.gravertech.com

A member of The Marmon Group—A Berkshire Hathaway Company