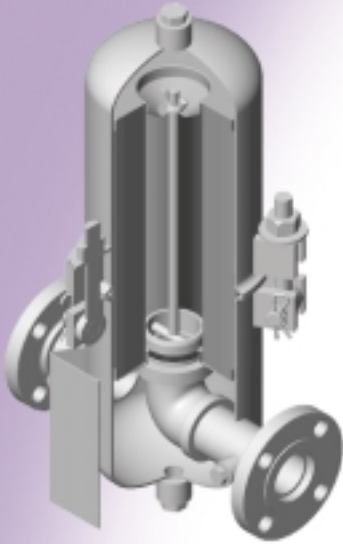


## INDUSTRIAL FILTRATION PRODUCTS

### GTX Series Piston Seal™ Filters

- 1.5" to 4" connections in stock and ready to ship.
- Efficient removal of solids in compressed gas and liquid pipeline applications.
- Housing features a robust element with internal O-ring that ensures a positive seal every time.



**GTX Series 180:** rated for 180 PSIG @ 100°F with Viton gasket.

**GTX Series 285:** rated for 285 PSIG @ 100°F with spiral-wound gasket.

**GTX Series 720:** rated for 720 PSIG @ 100°F with spiral-wound gasket.

#### FEATURES

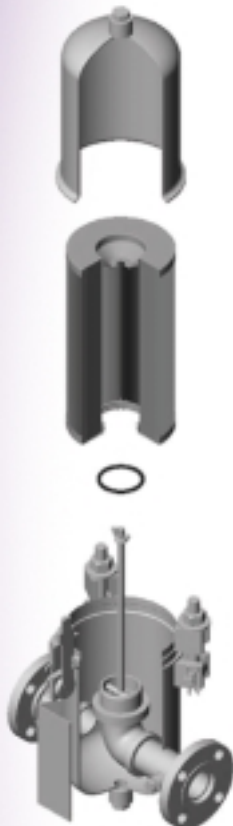
- Suitable for air/gas and liquid applications.
- Carbon-steel construction.
- ASME Code designed and U stamped.
- CE marked per pressure equipment directive (PED) 97/23/EC.

The GTX Series filter housings and filter elements are in stock and can ship within 24 hours.

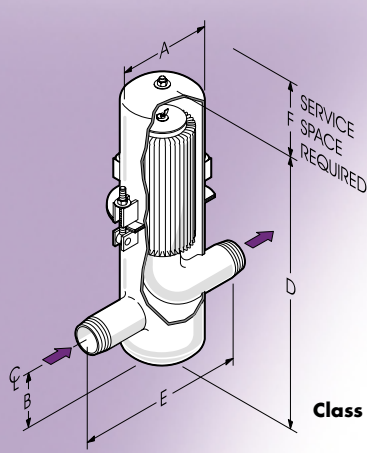
Housings are available with connection sizes ranging from 1.5" to 4" and a choice of three pressure ratings, allowing this product line to fit a wide range of applications.

The novel Piston Seal™ element design provides a superior seal by using an O-ring instead of a flat-gasketed surface. This design also provides very low maintenance and easy element change-outs. Replacement parts are sent in a kit that includes the element, O-ring, and housing closure gasket—even a new retaining nut and washer—so you get all the replacement parts you need to assure a quick and easy restart of your process.

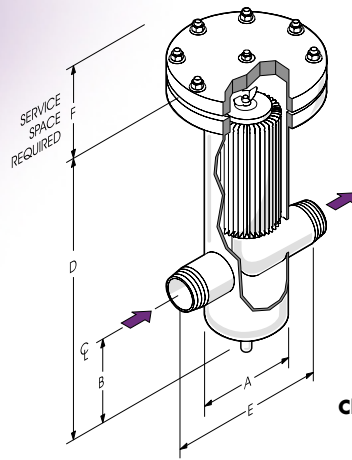
All GTX Series filter housings are ASME Code stamped and CE marked, making them perfect for critical applications and for equipment being shipped into the European Community. The filter elements are made with polyester media and are available from 1 $\mu$  to 20 $\mu$ . Polyester is one of the most compatible filter mediums, so this "off the shelf" filter can meet a wide array of process and application requirements.



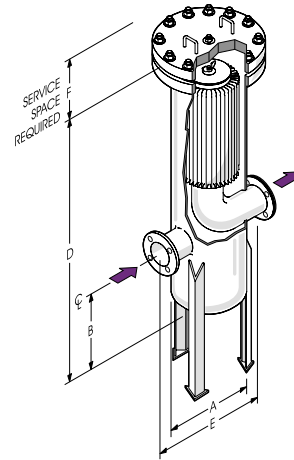
Drawings are available in hard copy or via PDF file format for quick approvals. Just call our customer service line at 800.321.4789 or visit our Web site. You'll find GTX Series drawings and other great information under the "Downloads" button.



**Class 180**



**Class 285**



**Class 720**

**Graver Technologies GTx Series Specifications**

| GTx Filters<br>Model Number     | Connection |      | Flow Rates   |                | Dimensions |         |         |     |     | Weight<br>(Pounds) |
|---------------------------------|------------|------|--------------|----------------|------------|---------|---------|-----|-----|--------------------|
|                                 | Size       | Type | Liquid (GPM) | Air/Gas (SCFM) | A          | B       | D       | E   | F   |                    |
| 2psi ΔP / 150 psig inlet press. |            |      |              |                |            |         |         |     |     |                    |
| 180-15                          | 1.5"       | MPT  | 50           | 890            | 6"         | 2 7/8"  | 18 3/4" | 12" | 10" | 40                 |
| 180-20                          | 2.0"       | MPT  | 90           | 1,440          | 8 1/4"     | 4 1/2"  | 27 1/4" | 18" | 12" | 60                 |
| 180-30                          | 3.0"       | FLG  | 135          | 3,370          | 8 1/4"     | 4 1/2"  | 27 1/4" | 18" | 17" | 85                 |
| 180-40                          | 4.0"       | FLG  | 250          | 5,950          | 10 1/4"    | 5 1/2"  | 35 1/4" | 20" | 21" | 135                |
| 3psi ΔP / 250 psig inlet press. |            |      |              |                |            |         |         |     |     |                    |
| 285-15                          | 1.5"       | MPT  | 50           | 1,380          | 6 5/8"     | 5 5/8"  | 20 3/8" | 12" | 12" | 95                 |
| 285-20                          | 2.0"       | MPT  | 90           | 2,250          | 8 5/8"     | 25 5/8" | 48 5/8" | 18" | 17" | 155                |
| 285-30                          | 3.0"       | FLG  | 135          | 5,200          | 8 5/8"     | 27"     | 50 5/8" | 18" | 18" | 175                |
| 285-40                          | 4.0"       | FLG  | 250          | 8,900          | 10 3/4"    | 28"     | 57 3/4" | 20" | 24" | 340                |
| 5psi ΔP / 720 psig inlet press. |            |      |              |                |            |         |         |     |     |                    |
| 720-15                          | 1.5"       | MPT  | 50           | 2,950          | 6 5/8"     | 5 5/8"  | 20 3/8" | 12" | 12" | 145                |
| 720-20                          | 2.0"       | MPT  | 90           | 4,900          | 8 5/8"     | 25 5/8" | 48 5/8" | 18" | 17" | 220                |
| 720-30                          | 3.0"       | FLG  | 135          | 11,400         | 8 5/8"     | 27"     | 50 5/8" | 18" | 18" | 250                |
| 720-40                          | 4.0"       | FLG  | 250          | 17,400         | 10 3/4"    | 28"     | 57 3/4" | 20" | 24" | 500                |

**GTx Series Piston Seal™ Element Kit Selection Guide**

| CONNECTION<br>SIZE | GTx - 180 SERIES           |                           |                            |                           | GTx - 285 SERIES           |                           |                            |                           | GTx - 720 SERIES           |                           |                            |                           |
|--------------------|----------------------------|---------------------------|----------------------------|---------------------------|----------------------------|---------------------------|----------------------------|---------------------------|----------------------------|---------------------------|----------------------------|---------------------------|
|                    | Gas Service                |                           | Liquid Service             |                           | Gas Service                |                           | Liquid Service             |                           | Gas Service                |                           | Liquid Service             |                           |
|                    | ELEMENT<br>KIT<br>PART No. | MICRON<br>RATING<br>@ 98% | ELEMENT<br>KIT<br>PART No. | MICRON<br>RATING<br>@ 98% | ELEMENT<br>KIT<br>PART No. | MICRON<br>RATING<br>@ 98% | ELEMENT<br>KIT<br>PART No. | MICRON<br>RATING<br>@ 98% | ELEMENT<br>KIT<br>PART No. | MICRON<br>RATING<br>@ 98% | ELEMENT<br>KIT<br>PART No. | MICRON<br>RATING<br>@ 98% |
| -15 (1.5")         | 180 G-1-1V                 | 1μ                        | 180 L-1-1V                 | 1μ                        | 285 G-1-1V                 | 1μ                        | 285 L-1-1V                 | 1μ                        | 720 G-1-1V                 | 1μ                        | 720 L-1-1V                 | 1μ                        |
| -15 (1.5")         | 180 G-1-4V                 | 4μ                        | 180 L-1-5V                 | 5μ                        | 285 G-1-4V                 | 4μ                        | 285 L-1-5V                 | 5μ                        | 720 G-1-4V                 | 4μ                        | 720 L-1-5V                 | 5μ                        |
| -15 (1.5")         | 180 G-1-10V                | 10μ                       | 180 L-1-20V                | 20μ                       | 285 G-1-10V                | 10μ                       | 285 L-1-20V                | 20μ                       | 720 G-1-10V                | 10μ                       | 720 L-1-20V                | 20μ                       |
| -20 (2.0")         | 180 G-2-1V                 | 1μ                        | 180 L-2-1V                 | 1μ                        | 285 G-2-1V                 | 1μ                        | 285 L-2-1V                 | 1μ                        | 720 G-2-1V                 | 1μ                        | 720 L-2-1V                 | 1μ                        |
| -20 (2.0")         | 180 G-2-4V                 | 4μ                        | 180 L-2-5V                 | 5μ                        | 285 G-2-4V                 | 4μ                        | 285 L-2-5V                 | 5μ                        | 720 G-2-4V                 | 4μ                        | 720 L-2-5V                 | 5μ                        |
| -20 (2.0")         | 180 G-2-10V                | 10μ                       | 180 L-2-20V                | 20μ                       | 285 G-2-10V                | 10μ                       | 285 L-2-20V                | 20μ                       | 720 G-2-10V                | 10μ                       | 720 L-2-20V                | 20μ                       |
| -30 (3.0")         | 180 G-3-1V                 | 1μ                        | 180 L-3-1V                 | 1μ                        | 285 G-3-1V                 | 1μ                        | 285 L-3-1V                 | 1μ                        | 720 G-3-1V                 | 1μ                        | 720 L-3-1V                 | 1μ                        |
| -30 (3.0")         | 180 G-3-4V                 | 4μ                        | 180 L-3-5V                 | 5μ                        | 285 G-3-4V                 | 4μ                        | 285 L-3-5V                 | 5μ                        | 720 G-3-4V                 | 4μ                        | 720 L-3-5V                 | 5μ                        |
| -30 (3.0")         | 180 G-3-10V                | 10μ                       | 180 L-3-20V                | 20μ                       | 285 G-3-10V                | 10μ                       | 285 L-3-20V                | 20μ                       | 720 G-3-10V                | 10μ                       | 720 L-3-20V                | 20μ                       |
| -40 (4.0")         | 180 G-4-1V                 | 1μ                        | 180 L-4-1V                 | 1μ                        | 285 G-4-1V                 | 1μ                        | 285 L-4-1V                 | 1μ                        | 720 G-4-1V                 | 1μ                        | 720 L-4-1V                 | 1μ                        |
| -40 (4.0")         | 180 G-4-4V                 | 4μ                        | 180 L-4-5V                 | 5μ                        | 285 G-4-4V                 | 4μ                        | 285 L-4-5V                 | 5μ                        | 720 G-4-4V                 | 4μ                        | 720 L-4-5V                 | 5μ                        |
| -40 (4.0")         | 180 G-4-10V                | 10μ                       | 180 L-4-20V                | 20μ                       | 285 G-4-10V                | 10μ                       | 285 L-4-20V                | 20μ                       | 720 G-4-10V                | 10μ                       | 720 L-4-20V                | 20μ                       |



300 West Main Street • Honeoye Falls, NY 14472 U.S.A.  
 585.624.1330 • 800.321.4789 • FAX: 585.624.1205  
 www.gravertech.com • info@gravertech.com

