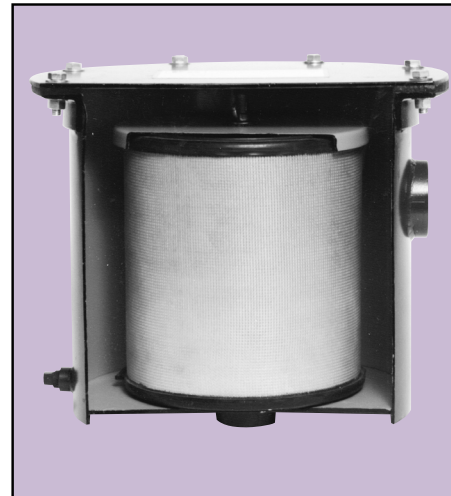
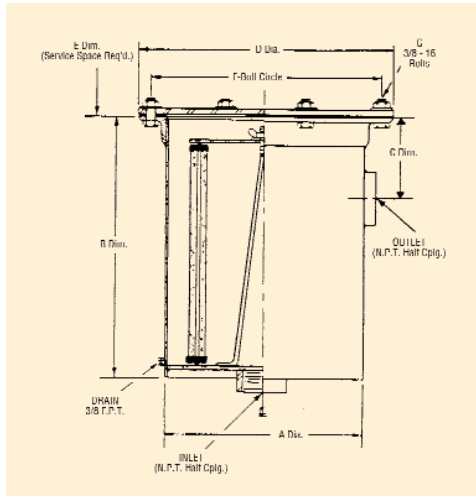




Graver Technologies

**FILTRATION ENGINEERING BRAND**

**Oil Mist Coalescers**



Assembly Part Number	Flow Rating (SCFM)	Std. Conn. (Size)	Dimensions - (Inches)						No. of Bolts Req'd	Replacement Element Part Number	Approx. Weight (lbs.)
			A	B	C	D	E	F			
13-401-ME51	30	1 1/4"	6	7 3/8	3	8 3/8	5 3/8	7 1/2	6	12-400E-1	15
13-401-ME52	50	1 1/4"	8	8 5/8	3	10 3/8	6 3/4	9 1/2	6	12-400E-2	20
13-401-ME53	75	1 1/2"	8	10 5/8	3 1/4	10 3/8	9 1/8	9 1/2	6	12-400E-13	25
13-401-ME54	100	2"	10	11 3/4	4	12 3/8	9 1/2	11 1/2	6	12-400E-3	35
13-401-ME55	150	2"	12	11 3/4	4	14 1/2	9 5/8	13 1/4	8	12-400E-14	40
13-401-ME56	250	3"	14	14 1/8	4 3/4	17	12 1/8	15 5/8	8	12-400E-4	50
13-401-ME57	375	3"	16 3/4	21 3/4	4 3/4	19 3/4	18	18 1/2	12	12-400E-16	90
13-401-ME58	500	4"	20	18 3/4	5 1/4	23	17	21 3/4	12	12-400E-5	100
13-401-ME59	900	5"	25	25 5/8	6	28	23 5/8	26 1/2	14	12-400E-6	180
13-401-ME60	1200	6"	28	30 1/4	7	32	28 1/4	30 1/4	16	12-400E-7A	250

Note: 1.5 psig / 29" Hg (vac) @ 200°F design. Above product offers 10 micron polyester filter media.

**Features and Benefits**

- An assortment of materials to meet your unique application. Available in carbon steel, 304, 316, 304L, 316L, aluminum, and a variety of lined vessels.
- Heavy-duty all-welded construction for maximum durability.
- Wide range of connection sizes and types available to match your existing piping.
- Flow capacities to 3000 SCFM to suit your application.
- Low back-pressure, for improved pump efficiency.
- All filter elements are available in a wide range of material and temperature designs to meet your unique application.



**Sizing**

All oil mist eliminators are rated at 2 1/2 psig back-pressure at full rated flow. Please consult Filtration Engineering when lower back-pressure is needed.

Back-Pressure	Multiplier
2 1/2 P.S.I.G.	1.0 x SCFM
2 P.S.I.G.	0.8 x SCFM
1 1/2 P.S.I.G.	0.6 x SCFM
1 P.S.I.G.	0.4 x SCFM
1/2 P.S.I.G.	0.2 x SCFM

**Warning**

The life of the coalescer and pump can be affected by particulate originating from your process. Protect the life of the coalescer and pump by installing a Filtration Engineering closed circuit assembly on the inlet side of your pump. Consult FE for proper design

**Graver Technologies • Industrial Filtration Products**

300 West Main St. Honeoye Falls, NY 14472  
 800.321.4789 • 585.624.1330 • Fax : 585.624.1205  
 gravertech.com

